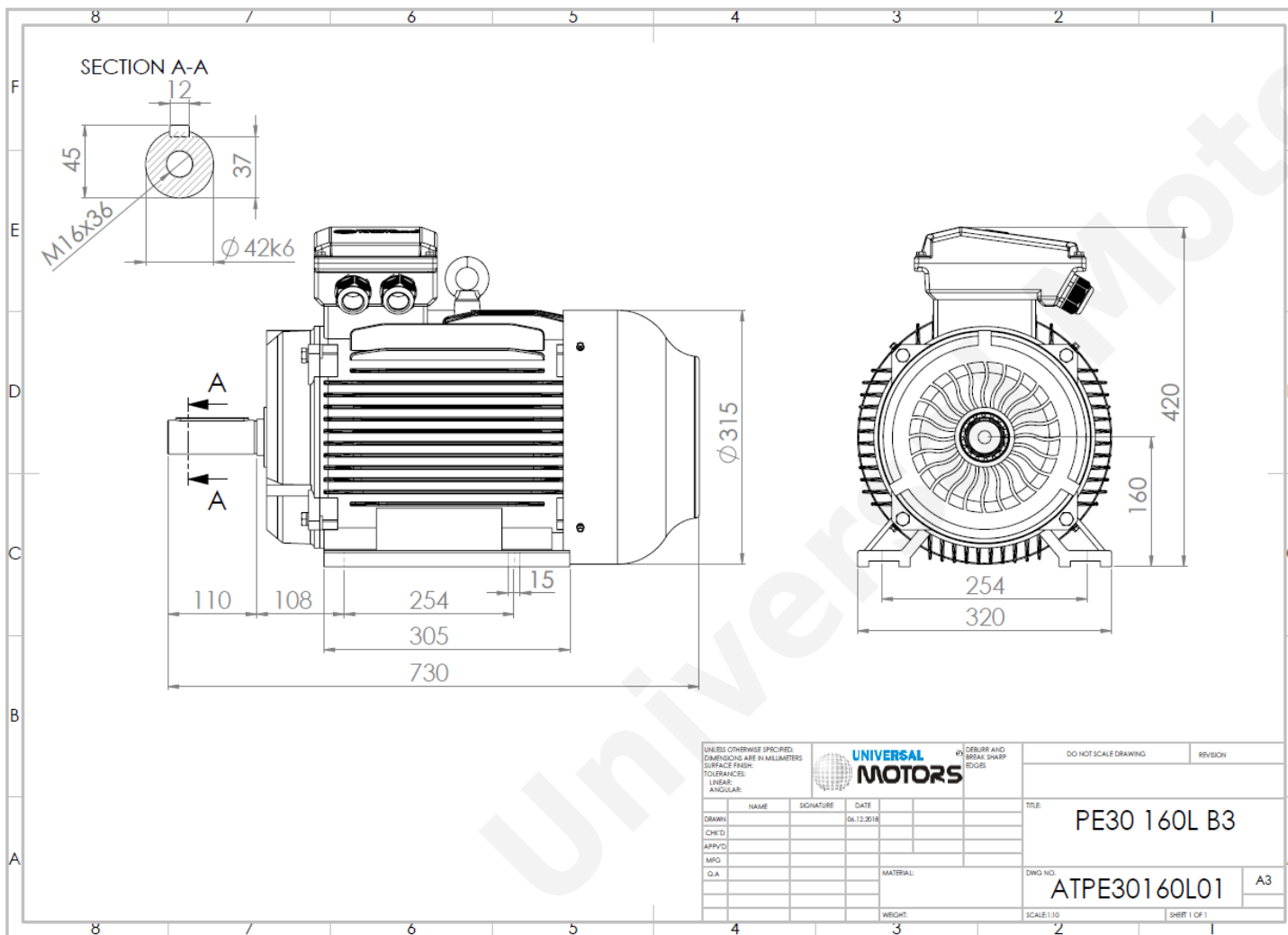




TECHNICAL DATA

Three Phase Electric Motors - Cast Iron Frame
 PE30 160 L 4 IE3
 15 kW / 20 Cv
 1470 RPM



| | |
|-----------------------------|-------------------------|
| Motor type: | PE30 160 L 4 IE3 |
| Output: | 15 kW / 20 Cv |
| Speed (min ⁻¹): | 1470 RPM |
| Frequency: | 50 Hz |
| Voltage: | 400 V |
| Current: | 27.3 A |
| Power factor (Cos ϕ): | 0.86 |
| Poles: | 4 |
| Insulation class: | F |
| Temperature rise Class: | B |
| Efficiency 50%: | 91.5 % |
| Efficiency 75%: | 92.5 % |
| Efficiency 100%: | 92.2 % |
| Torque: | 97 N.m |
| Tstarting/Tnominal: | 2.2 |
| Istarting/Inominal: | 7.8 |
| Tmaximum/Tnominal: | 2.3 |
| Noise: | 62 Db(A) |
| Weight: | 160 Kg |
| Bearing DE: | 6309 C3 |
| Bearing NDE: | 6309 C3 |

Regime - S1

Altitude - 1000m

Environment Temperature - 40°C

CONTACTS:

UNIVERSAL MOTORS Tel: +351 252 299 080
 Rua de São Brás,745 Fax: +351 252 299 089
 4480-782 VILA DO CONDE Mail: geral@universalmotors.pt

* References applied only in the UK